

TECHNICAL BULLETIN 04.10.20

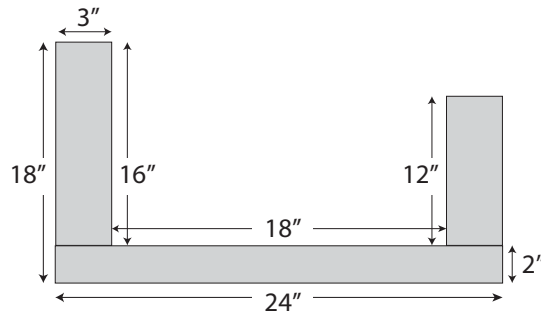
DESCRIPTION

LiteFoot is an insulated concrete footing form for frost protected shallow foundations. It is an engineered and approved method that meets today's building codes (meets or exceeds R403.3 - IRC2015). LiteFoot is used in Northern regions across the US and endures sub-zero temperatures without failure.

Typical Monolithic Slab Footing

Single - 24" wide x 8' long
 Pallet qty - 24
 Concrete Footing - 18" x 12"

Monolithic Slab Form Specifications



Typical Monolithic Slab

